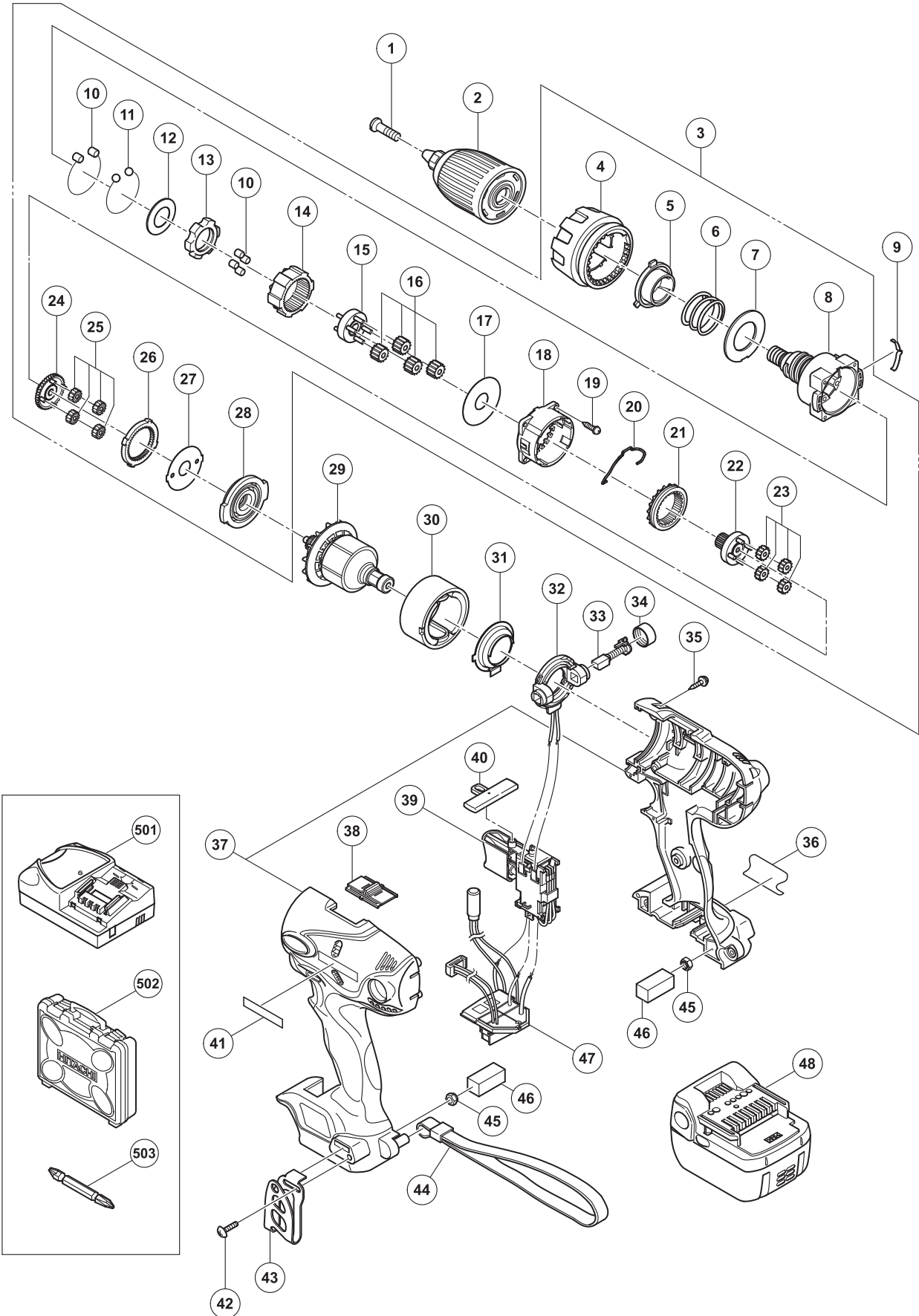


## ELECTRIC TOOL PARTS LIST

**CORDLESS DRIVER DRILL**  
**Model DS 14DSL**

**2007·12·25**  
**(E1)**



**PARTS**

DS 14DSL

ITEM NO.	CODE NO.	DESCRIPTION	NO. USED	REMARKS
1	311-959	SPECIAL SCREW (LEFT HAND) M6X23	1	
2	320-684	DRILL CHUCK 13VLRG-N (W/O CHUCK WRENCH)	1	
3	329-086	GEAR BOX ASS'Y	1	INCLUD. 4-8, 10-28
4	329-089	CLUTCH DIAL	1	
5	320-758	NUT	1	
6	320-757	SPRING	1	
7	320-756	THRUST PLATE	1	
8	329-087	FRONT CASE	1	
9	320-773	CLICK SPRING	1	
10	319-744	ROLLER	10	
11	306-936	STEEL BALL D5	6	
12	328-717	WASHER (B)	1	
13	328-718	LOCK RING	1	
14	328-721	RING GEAR	1	
15	328-720	CARRIER	1	
16	328-722	PLANET GEAR (C) SET (4 PCS.)	4	
17	320-762	PLATE (B)	1	
18	320-763	REAR CASE	1	
19	312-712	SCREW SET D3X12 (4 PCS.)	4	
20	329-088	SHIFT ARM (A)	1	
21	320-765	SLIDE RING GEAR	1	
22	328-724	PINION (C)	1	
23	320-781	PLANET GEAR (B) SET (4 PCS.)	4	
24	328-725	PINION (B)	1	
25	328-727	PLANET GEAR (A) SET (4 PCS.)	4	
26	328-726	FIRST RING GEAR	1	
27	320-768	PLATE (A)	1	
28	320-769	MOTOR SPACER	1	
29	360-820	ARMATURE PINION SET	1	
30	322-520	MAGNET	1	
31	322-521	DUST GUARD	1	
32	322-993	BRUSH BLOCK	1	
33	999-054	CARBON BRUSH 5X6X11.5 (1 PAIR)	2	
34	319-918	BRUSH CAP	2	
35	313-687	TAPPING SCREW (W/FLANGE) D3X16 (BLACK)	8	
36		NAME PLATE	1	
37	329-084	HOUSING (A).(B) SET	1	
38	328-731	SHIFT KNOB	1	
39	329-173	DC-SPEED CONTROL SWITCH	1	
40	329-454	PUSHING BUTTON (A)	1	
41		HITACHI LABEL	1	
42	327-001	M4 TRUSS HD. SCREW (BLACK)	1	
43	326-790	HOOK (A)	1	
44	306-952	STRAP (BLACK)	1	
45	327-002	LOCK NUT M4 (BLACK)	2	
46	327-004	PACKING	2	
47	328-733	CONTROLLER TERMINAL SET	1	
48	329-083	BATTERY BSL 1430 (EUROPE)	2	

